
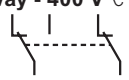

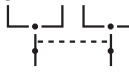
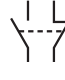
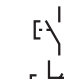
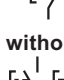
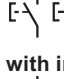
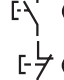
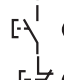




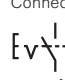
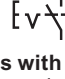
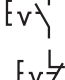
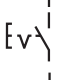
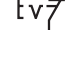
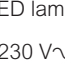
CX³ changeover switches, push-buttons, control switches and LED indicators





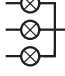



Technical characteristics [see e-catalogue](#)

Pack	Cat.Nos	Changeover switches	Number of modules
10	4 129 00	<p>Conform to IEC 60669-1 Nominal rating 32 A Compatible with fluorescent lamps (20 AX)</p> <p>Two-way - 250 V~</p> <p>Connection </p>	1
5	4 129 01	<p>Double two-way - 400 V~</p> <p>Connection </p>	2
10	4 129 02	<p>Two way with centre point - 250 V~</p> <p>Connection </p>	1
5	4 129 03	<p>Double two way with centre point - 250 V~</p> <p>Connection </p>	2
10	4 129 04	<p>Switch NO + NC - 250 V~</p> <p>Connection </p>	1

Pack	Cat.Nos	Momentary contact push-buttons	Number of modules
10	4 129 08	<p>Conform to IEC 60669-1 Nominal rating 20 A - 250 V~ Compatible with fluorescent lamps (20 AX) Accept prong-type supply busbars</p> <p>Single function push-buttons</p> <p>1 NO</p> <p>Connection </p>	1
10	4 129 09	<p>1 NC</p> <p>Connection </p>	1
10	4 129 16	<p>Dual functions push-buttons without indicator</p> <p>1 NO (green push-button) + 1 NC (red push-button)</p> <p>Connection </p>	1
10	4 129 18	<p>Dual functions push-buttons with indicator</p> <p>1 NO + green LED indicator 12/48 V~/=</p> <p>Connection </p>	1
10	4 129 19	<p>1 NC + red LED indicator 12/48 V~/=</p> <p>Connection </p>	1
10	4 129 20	<p>1 NO + green LED indicator 100/400 V~</p> <p>Connection </p>	1
10	4 129 40	<p>1 NC + red LED indicator 100/400 V~</p> <p>Connection </p>	1

Pack	Cat.Nos	Maintained contact control switches	Number of modules
10	4 129 10	<p>Conform to IEC 60669-1 Nominal rating 20 A - 250 V~ Compatible with fluorescent lamps (20 AX) Accept prong-type supply busbars</p> <p>Single function control switches</p> <p>2 NO</p> <p>Connection </p>	1
10	4 129 11	<p>1 NO + NC</p> <p>Connection </p>	1
10	4 129 12	<p>Dual functions control switches with indicator</p> <p>1 NO + green LED indicator 12/48 V~/=</p> <p>Connection </p>	1
10	4 129 13	<p>1 NC + red LED indicator 12/48 V~/=</p> <p>Connection </p>	1
10	4 129 14	<p>1 NO + green LED indicator 110/400 V~</p> <p>Connection </p>	1
10	4 129 15	<p>1 NC + red LED indicator 110/400 V~</p> <p>Connection </p>	1

Pack	Cat.Nos	LED indicators	Number of modules
10	4 129 21	<p>LED indicators</p> <p>Equipped with non replaceable LED lamps LED life: 100 000 h LED consumption: 0.17 W under 230 V~/ 0.11 W under 24 V~ Conform to IEC 60947-5-1 Accept prong-type supply busbars</p> <p>Single - 12/48 V~/=</p> <p>● Green</p> <p>● Red</p> <p>● Yellow</p> <p>● Blue</p> <p>○ White</p> <p>Connection </p>	1
10	4 129 22		1
10	4 129 23		1
10	4 129 24		1
10	4 129 25		1
10	4 129 26	<p>Single - 110/400 V~</p> <p>● Green</p> <p>● Red</p> <p>● Yellow</p> <p>● Blue</p> <p>○ White</p> <p>Connection </p>	1
10	4 129 27		1
10	4 129 28		1
10	4 129 29		1
10	4 129 30		1
10	4 129 41	<p>Double - 12/48 V~</p> <p>● ● Green/Red</p> <p>Connection </p>	1
10	4 129 31	<p>Double - 110/400 V~</p> <p>● ● Green/Red</p> <p>Connection </p>	1
10	4 129 32	<p>Triple - 230/400 V~</p> <p>○ ○ ○ White</p> <p>● ● ● Red</p> <p>● ● ● Red/Yellow/Green</p> <p>● ● ● Red/Yellow/Blue</p> <p>Connection </p>	1
10	4 129 33		1
10	4 129 34		1
10	4 129 35		1

Pack	Cat.Nos	TX ³ LED indicators - 230 V~	Number of modules
12	6 040 77	<p>TX³ LED indicators - 230 V~</p> <p>Equipped with non replaceable LED lamps</p> <p>Single</p> <p>● Green</p> <p>Connection </p>	1
12	6 040 78	<p>● Red</p>	1
12	6 040 79	<p>● Orange</p>	1